



LCD HY32D 3,2 Zoll

320 x 240 Pixel

I40 MCHF MOD

mchf\_ui\_I40 V0.2a  
based on mchf M0NKA  
by: DGBYGW 11.12.2016

D3  
D1  
D2

S17 S18 S4 S14  
B- B+

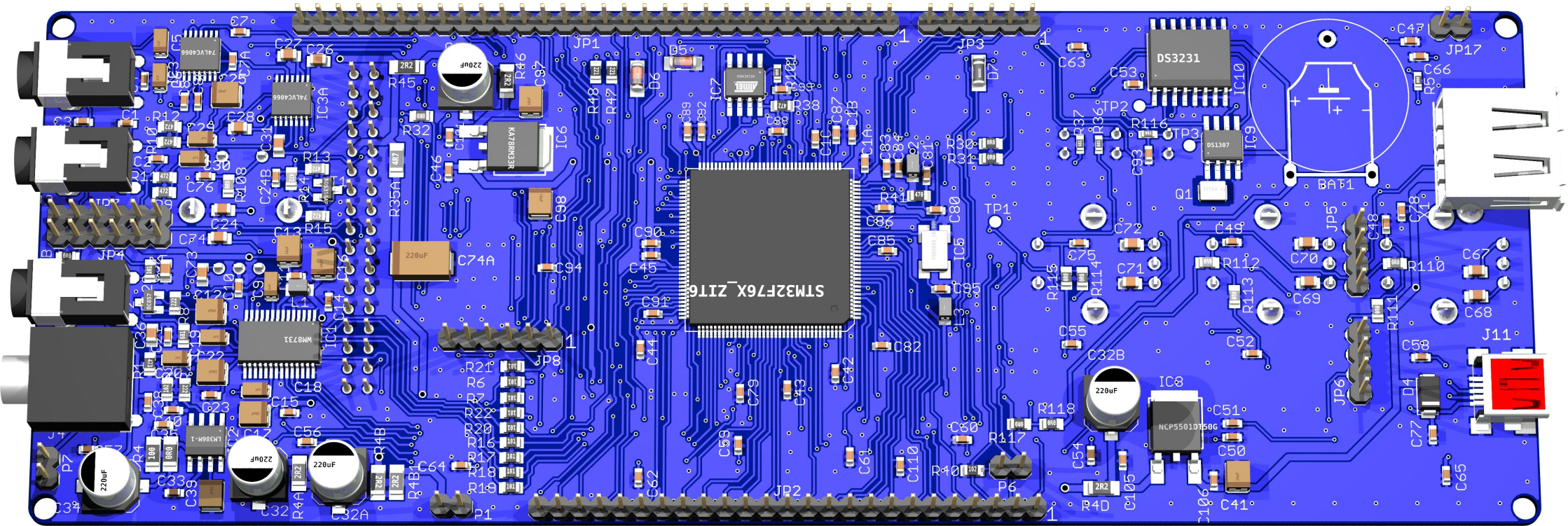
E1 E2 E3

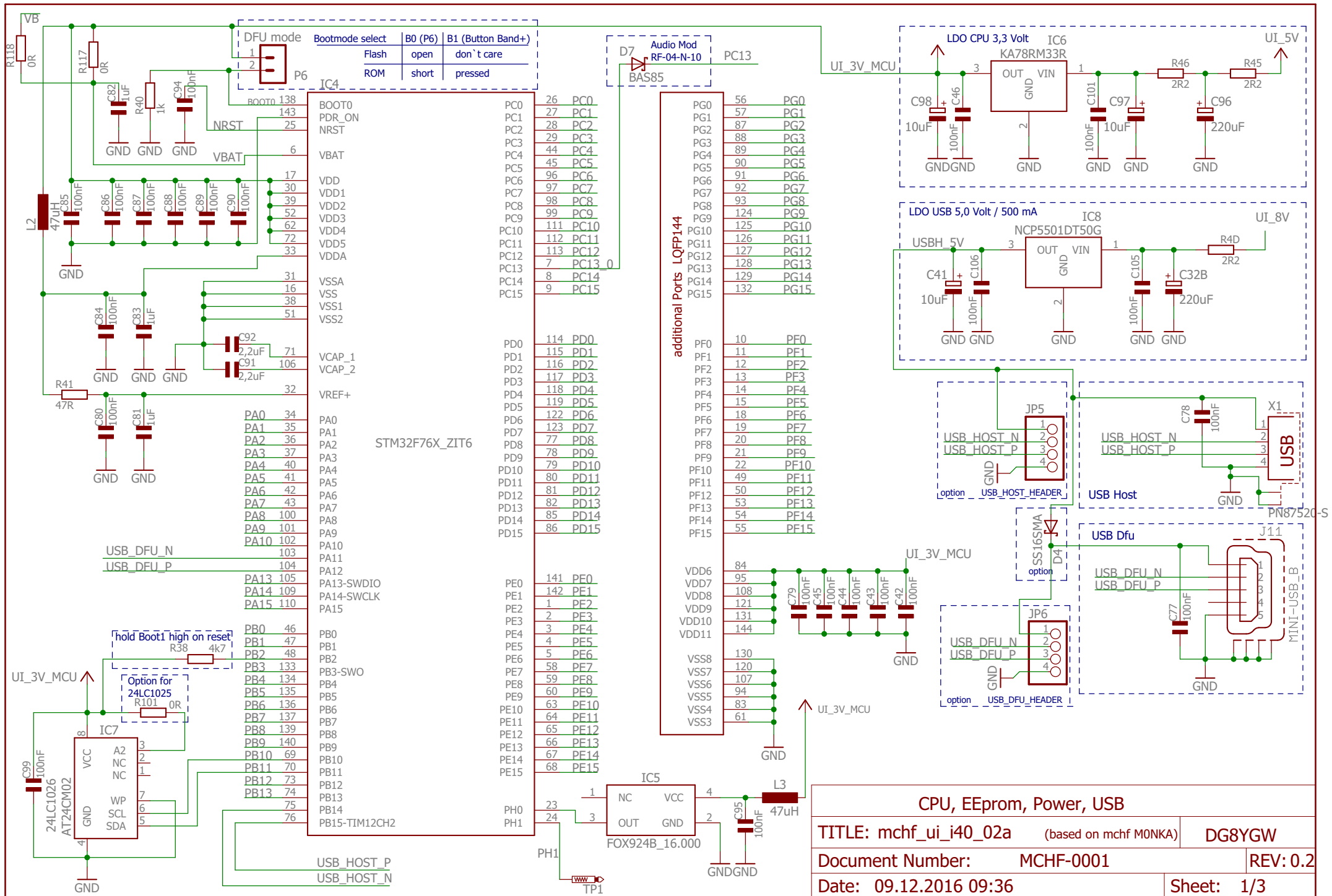
M1 M2 M3  
S9 S3 S6

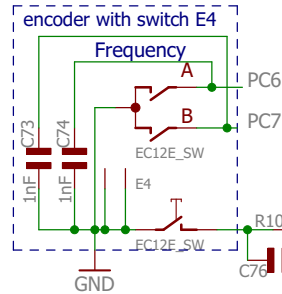
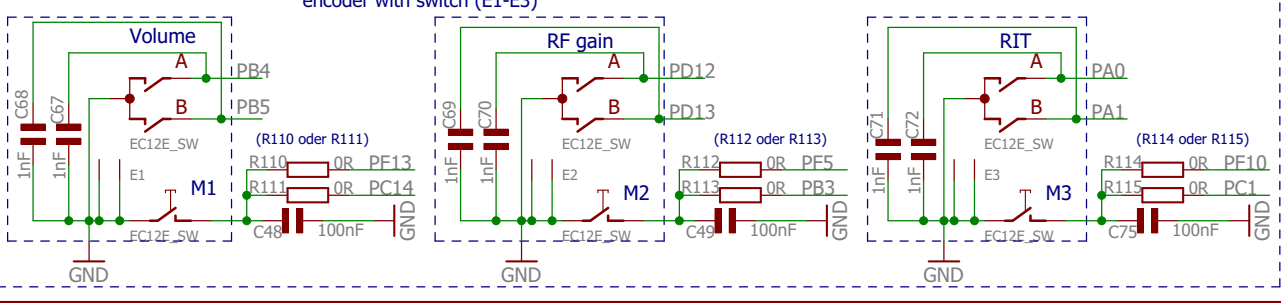
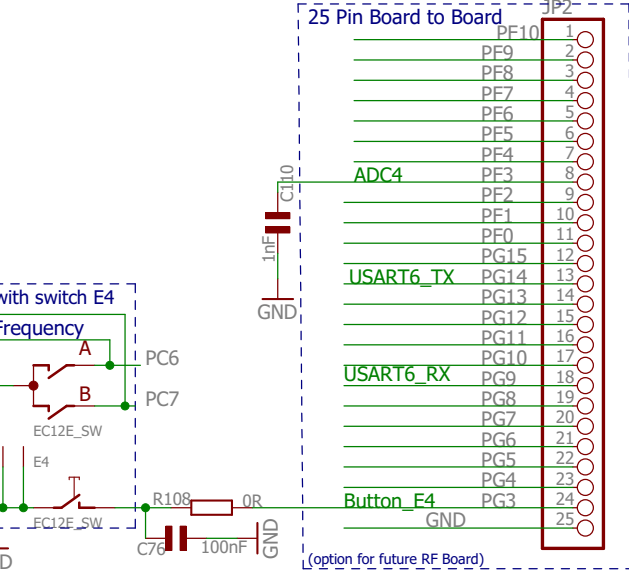
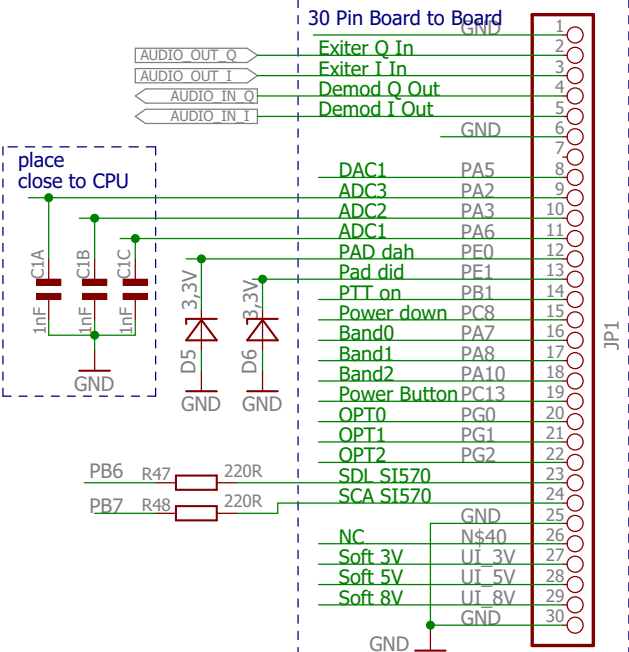
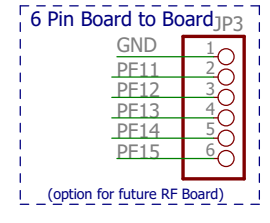
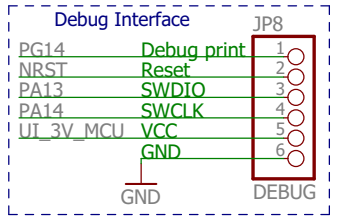
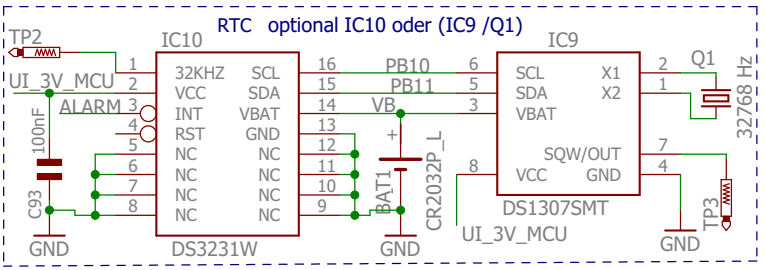
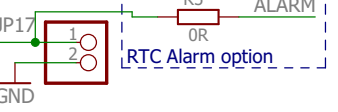
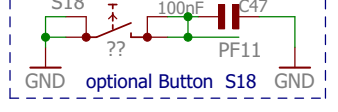
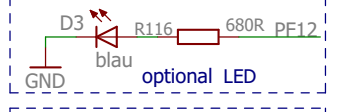
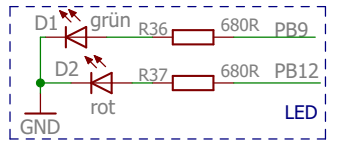
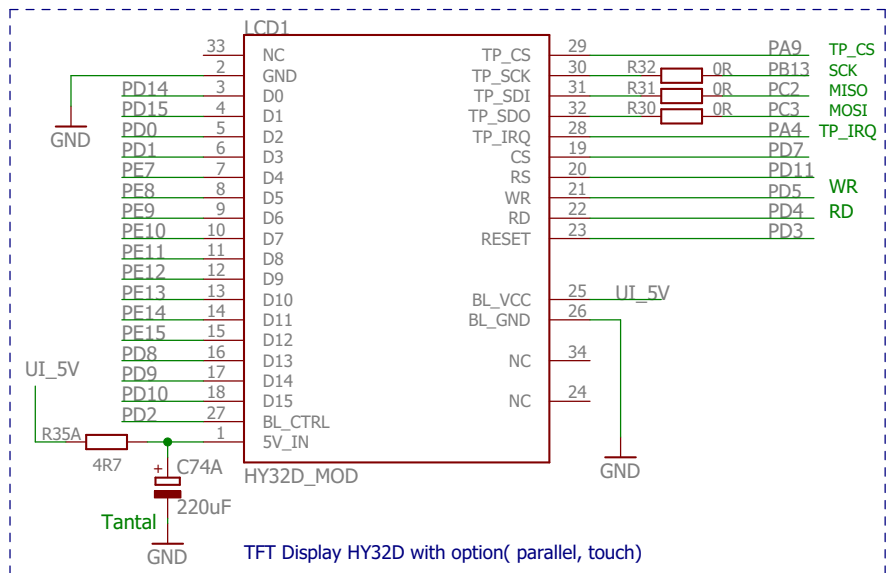
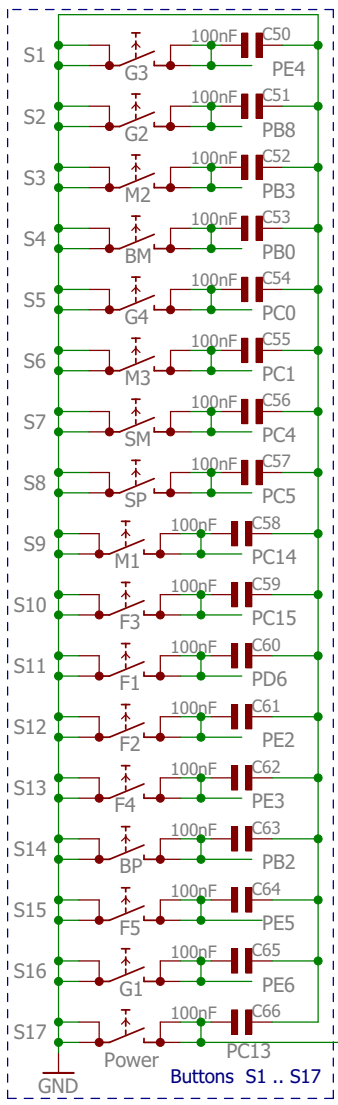
S16 S2 S1 S5  
G1 G2 G3 G4

S11 S12 S10 S13 S15

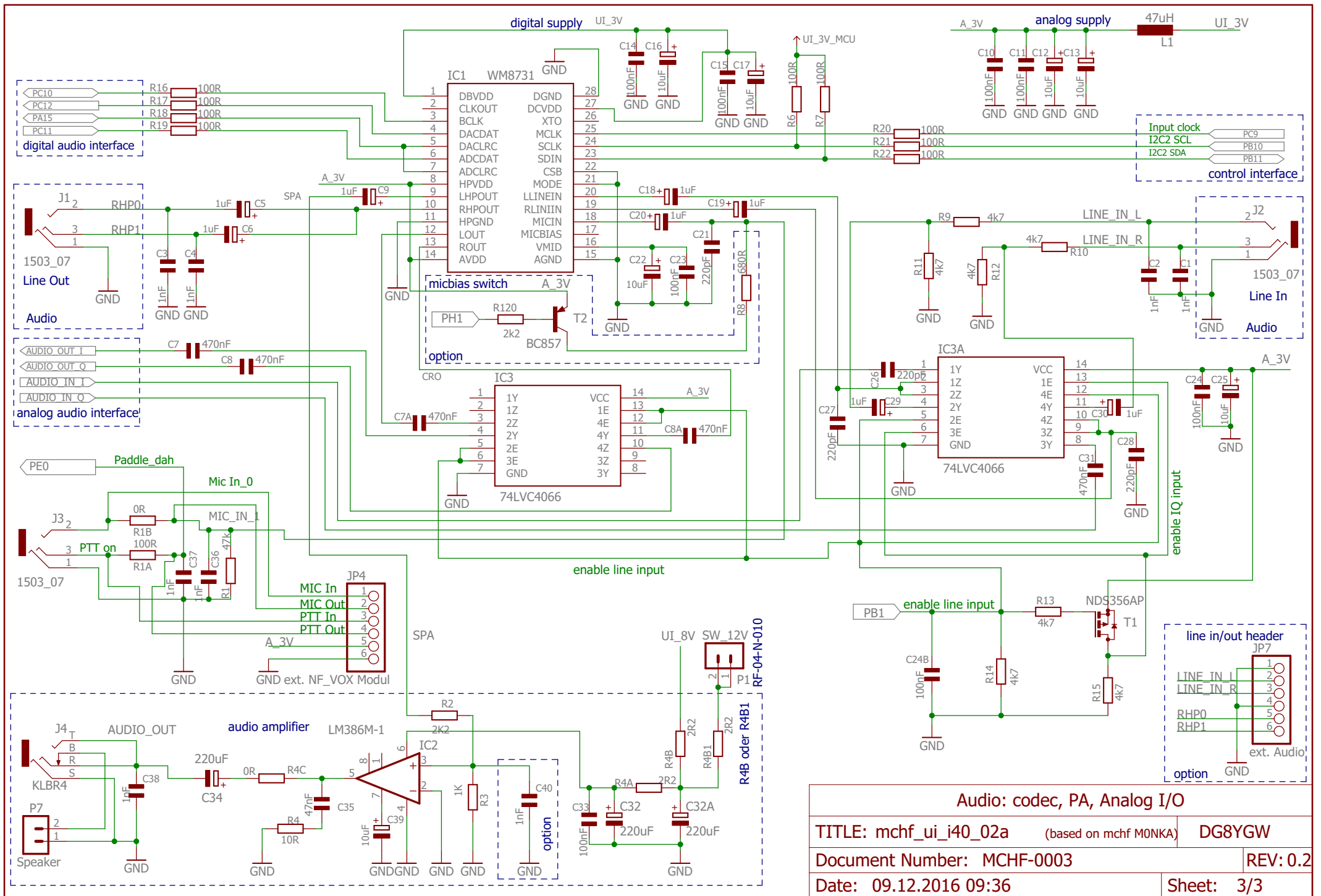
S7 S8  
S- S+







<b>I/O (Taster, Drehencoder, LCD, LED, RTC)</b>		
TITLE: mchf_ui_i40_02a	(based on mchf MONKA)	DG8YGW
Document Number: MCHF-0002		REV:0.2
Date: 09.12.2016 09:36		Sheet: 2/3



Audio: codec, PA, Analog I/O		
TITLE: mchf_ui_i40_02a	(based on mchf M0NKA)	DG8YGW
Document Number: MCHF-0003		REV: 0.2
Date: 09.12.2016 09:36		Sheet: 3/3